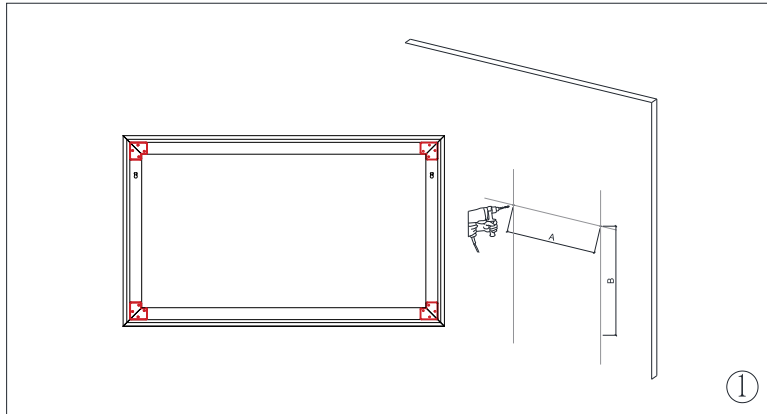
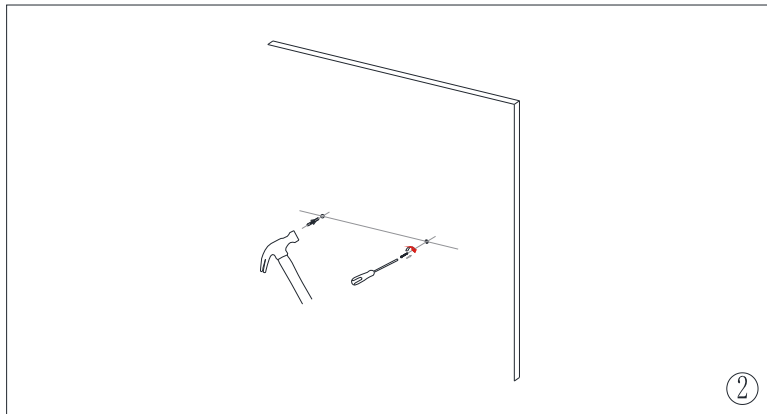


## WALL MOUNTING INSTRUCTIONS

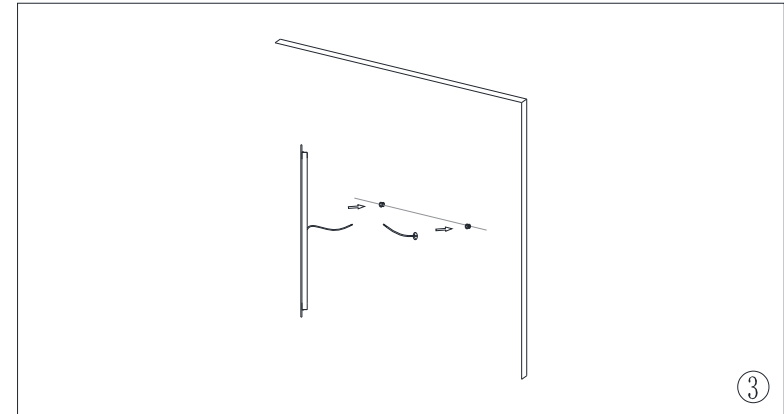


Measure the distance of the mounting hole,  
Drill holes with a suitable sized drill.

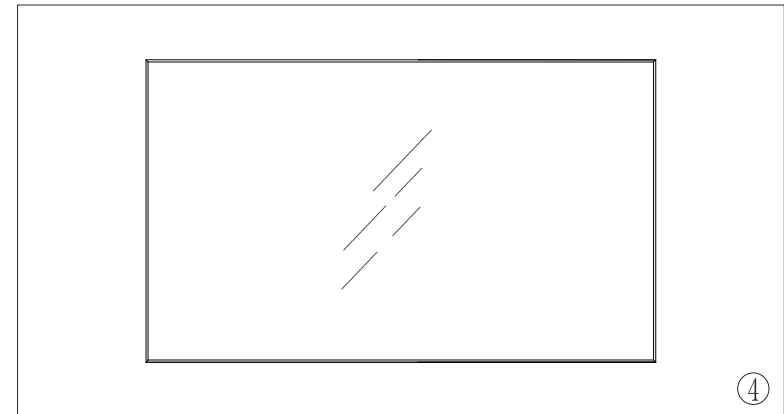


Insert the anchor and mounting screw into the  
wall.

## WALL MOUNTING INSTRUCTIONS



Connect the mirror wires with your main wires and  
hang the mounting hole to the screw on the wall.



Peel off protective film and clean the mirror with  
damp cloth.

## After care

Never use bleach based or window cleaning solution as these may damage the backing of the mirror.  
We recommend a damp cloth to remove splashes.